

# ATX2 UHF reader

ATEX (EN60079) & IECEx  
UHF EPC1 Gen 2 reader - 1 external antenna



## Traceability of high-value assets in explosive environments!

The ATX UHF is a powerful ATEX & IECEx certified reader with one external antenna, especially suited for tracking critical items in hazardous environments, which require explosion-protected equipment such as the chemical, petrochemical, gas filling stations, refinery, onshore/offshore plants and nuclear industries. STid has developed the ATEX & IECEx products range to fit the two essential industry requirements security and reliability.

### ► ATEX & IECEx certification

ATX2 UHF readers are ATEX (EN60079) & IECEx certified, in accordance with the two relevant European Directives (99/92/EC and 94/9/EC) and are designed for assets tracking applications in explosive environments. Its Ex II 2 GD IP66 explosion-proof casing is well-suited to the chemical, petrochemical and nuclear industries, among others.

### ► Interfaces & protocols

The ATEX & IECEx range of UHF readers is designed for seamless and flexible integration to existing management systems.

A lot of communication interfaces to the system are available: TTL, RS232, RS485 or TCP-IP. On request customer specific protocols can also be implemented.

### ► Easy installation and integration

ATX2 readers are easy to adapt to an existing configuration. They do not require any electronic tuning for a quick and simple setup. The ATEX & IECEx range features two versions: read-only (ATX2R-E) or read/write (ATX2W-E). You can easily integrate the reader in all kind of configuration thanks to its external antenna.



## Applications in harsh environments

- Logistics
- Track and trace assets
- Automate plant processes
- Vehicle and truck identification
- Track pallets, rolls, containers, returnable items, etc.



### ► Marking

EC type examination certificate:  
BKI 08 ATEX 0048  
Type approved: GUB  
Ex II 2 GD (G: Gas / D: Dust)  
Ex d IIC T6  
Ex tD A21 T85°C IP66

# ATX2 UHF reader

ATEX (EN60079) & IECEx reader - UHF EPC1 Gen 2

## Specifications

Operating frequency/standards	UHF - ETSI 302-208: 866 MHz (Europe), FCC Part 15: 915 MHz (USA), Australia and New Zealand												
Chip compatibility	EPC1 Gen 2 / ISO18000-6C												
Functions	Read only and read/write versions												
Antenna(s)	1 external antenna (provided)												
RF power	Up to +32 dBm												
Reading distances*	Up to 6 m with a STid card												
Anticollision system	Yes												
Communication interfaces	Read-only version: TTL - ISO2 (Data Clock) or Wiegand, RS232, RS485 Read/write version: RS232, RS485, TCP-IP												
Connections	2 cable glands PE PAP-R0 M20, for shielded cable ext. 10-19mm 1 Isolate-CT Ex d N-type / SMA female RF connector Transit plug Provided with a 3 m cable												
Power requirement	2,5A/12VDC												
Power supply	9/36V												
Material	Aluminium alloy & stainless steel, epoxy grey RAL 9006												
Reader dimensions (h x w x d)	310 x 270 x 174 mm												
Antenna dimensions (h x w x d)	306 x 296 x 81 mm												
Reader weight	13 Kg												
Operating temperatures	-20°C to +50°C - Inside / Outside use												
Resistance	Flameproof enclosure GUB23 IP66												
Mounting	2 brackets included												
Certification	CE & FCC ATEX (EN60079) & IECEx												
Marking	EC type examination certificate: BKI 08 ATEX 0048 Type approved: GUB Ex II 2 GD (G: Gas / D: Dust) Ex d IIC T6 Ex tD A21 T85°C IP66												
Part number	<table border="0"> <tr> <td>Read-only TTL:</td> <td>ATX2-RX1-E/U04-xx/3</td> </tr> <tr> <td>Read-only RS232:</td> <td>ATX2-RX2-E/U04-xx/3</td> </tr> <tr> <td>Read-only RS432:</td> <td>ATX2-RX3-E/U04-xx/3</td> </tr> <tr> <td>Read/write RS232:</td> <td>ATX2-WX2-E/U04-xx/3</td> </tr> <tr> <td>Read/write RS485:</td> <td>ATX2-WX3-E/U04-xx/3</td> </tr> <tr> <td>Read/write TCP-IP:</td> <td>ATX2-WX4-E/U04-xx/3</td> </tr> </table> <p>X: versions= 4 - ETSI, 5 - FCC, 7 - Australia, 8 - New Zealand</p>	Read-only TTL:	ATX2-RX1-E/U04-xx/3	Read-only RS232:	ATX2-RX2-E/U04-xx/3	Read-only RS432:	ATX2-RX3-E/U04-xx/3	Read/write RS232:	ATX2-WX2-E/U04-xx/3	Read/write RS485:	ATX2-WX3-E/U04-xx/3	Read/write TCP-IP:	ATX2-WX4-E/U04-xx/3
Read-only TTL:	ATX2-RX1-E/U04-xx/3												
Read-only RS232:	ATX2-RX2-E/U04-xx/3												
Read-only RS432:	ATX2-RX3-E/U04-xx/3												
Read/write RS232:	ATX2-WX2-E/U04-xx/3												
Read/write RS485:	ATX2-WX3-E/U04-xx/3												
Read/write TCP-IP:	ATX2-WX4-E/U04-xx/3												

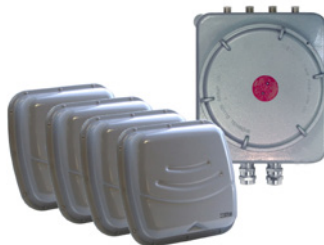


\*Caution: information about the distance of communication: measured from the centre of the antenna, depending on the type of identifier, size of the identifier, operating environment of the reader, power supply voltage and reading functions.

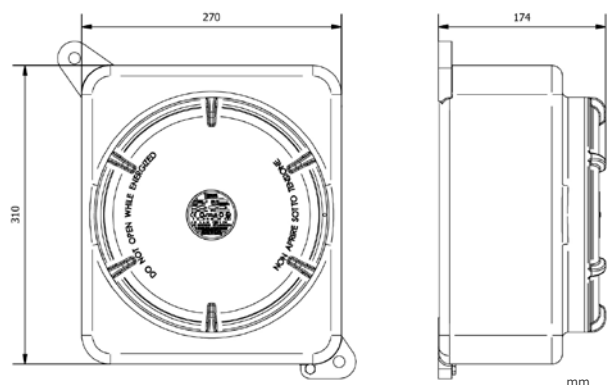
## UHF ATEX & IECEx reader series



Integrated antenna reader



Multi-antennas reader  
4 external antennas



Legal statements: STid is a trademark of STid SA. Mifare® is a NXP trademark. All other trademarks are property of their respective owners.  
This document is the exclusive property of STid. STid reserves the right to stop any product or service for any reason and without any liability - Noncontractual photographs

### Headquarters

20 Parc d'activités des Pradeaux  
13850 Gréasque, FRANCE  
☎ +33 (0)4 42 12 60 60  
✉ +33 (0)4 42 12 60 61  
✉ info@stid.com

### Paris IDF Agency

Immeuble Le Trisalys  
416 avenue de la division Leclerc  
92290 Chatenay Malabry, France  
☎ +33 (0)1 43 50 11 43  
✉ +33 (0)1 43 50 27 37  
✉ info@stid.com

### STid UK

Innovation centre  
Gallows Hill, Warwick  
CV34 6UW, United Kingdom  
☎ +44 (0) 1926 217 884  
✉ +44 (0) 1926 217 701  
✉ info@stid.com

### STid America

Varsovia 57, Interior 501, Colonia Juárez  
CP 06600, Delegación Cuauhtémoc  
México D.F.  
☎ +52 (55) 52 56 47 06  
✉ +52 (55) 52 56 47 07  
✉ info@stid-america.com